



Circuit breaker size S3 for motor protection, Class 10 A-release 45...63 A Short-circuit release 819 A Screw terminal Standard switching capacity !!! Phased-out product !!! Successor is SIRIUS 3RV2 Preferred successor type is >>3RV2031-4JA10<<

product brand name	SIRIUS
product designation	circuit breaker
design of the product	for motor protection
General technical data	
product extension auxiliary switch	Yes
power loss [W] for rated value of the current	
• at AC in hot operating state	34 W
• at AC in hot operating state per pole	11.3 W
surge voltage resistance rated value	6 000 V
protection class IP on the front	IP20
shock resistance	25g / 11 ms
mechanical service life (operating cycles) of the main contacts typical	50 000
continuous current rated value	63 A
Substance Prohibittance (Date)	07/01/2006
Ambient conditions	
installation altitude at height above sea level maximum	2 000 m
ambient temperature	
• during operation	-20 ... +60 °C
• during storage	-50 ... +80 °C
• during transport	-50 ... +80 °C
Main circuit	
number of poles for main current circuit	3
adjustable current response value current of the current-dependent overload release	45 ... 63 A
operating voltage	
• rated value	690 V
• at AC-3 rated value maximum	690 V
operational current at AC-3 at 400 V rated value	63 A
operating power at AC-3	
• at 400 V rated value	30 kW
operating frequency at AC-3 maximum	15 1/h
Auxiliary circuit	
number of CO contacts for auxiliary contacts	0
Protective and monitoring functions	
product function	
• ground fault detection	No
• phase failure detection	Yes
trip class	CLASS 10
maximum short-circuit current breaking capacity (I_{cu})	
• at AC at 240 V rated value	100 kA

- at AC at 400 V rated value 50 kA
- at AC at 500 V rated value 12 kA
- at AC at 690 V rated value 6 kA

Short-circuit protection

design of the overcurrent release and short-circuit release thermomagnetic

Installation/ mounting/ dimensions

mounting position	any
fastening method	screw and snap-on mounting onto 35 mm DIN rail according to DIN EN 50022
height	165 mm
width	70 mm
depth	174 mm
required spacing with side-by-side mounting	
• backwards	0 mm
• at the side	0 mm

Connections/ Terminals

product component removable terminal for auxiliary and control circuit	No
type of electrical connection	
• for main current circuit	screw-type terminals with box terminals
• for auxiliary and control circuit	screw-type terminals
arrangement of electrical connectors for main current circuit	front side
type of connectable conductor cross-sections for main contacts	
• solid	2x (2.5 ... 16 mm ²)
• stranded	2x (10 ... 50 mm ²), 1x (10 ... 70 mm ²)
• finely stranded with core end processing	2x (2.5 ... 35 mm ²), 2.5 ... 50 mm ²

Safety related data

touch protection against electrical shock finger-safe

Certificates/ approvals

General Product Approval

For use in hazardous locations

[Confirmation](#)



Declaration of Conformity

Test Certificates

Marine / Shipping



[Special Test Certificate](#)

[Type Test Certificates/Test Report](#)



Marine / Shipping

other

Railway



[Miscellaneous](#)

[Confirmation](#)



[Special Test Certificate](#)

Further information

Siemens has decided to exit the Russian market (see here).
<https://press.siemens.com/global/en/pressrelease/siemens-wind-down-russian-business>

Siemens is working on the renewal of the current EAC certificates.

Please contact your local Siemens office on the status of validity of the EAC certification if you intend to import or offer to supply these products to an EAC relevant market (other than the sanctioned EAEU member states Russia or Belarus).

Information on the packaging

<https://support.industry.siemens.com/cs/ww/en/view/109813875>

Information- and Downloadcenter (Catalogs, Brochures,...)

<https://www.siemens.com/ic10>

Industry Mall (Online ordering system)

<https://mall.industry.siemens.com/mall/en/en/Catalog/product?mlfb=3RV1041-4JA10>

Cax online generator

<http://support.automation.siemens.com/WW/CAXorder/default.aspx?lang=en&mlfb=3RV1041-4JA10>

Service&Support (Manuals, Certificates, Characteristics, FAQs,...)

<https://support.industry.siemens.com/cs/ww/en/ps/3RV1041-4JA10>

Image database (product images, 2D dimension drawings, 3D models, device circuit diagrams, EPLAN macros, ...)

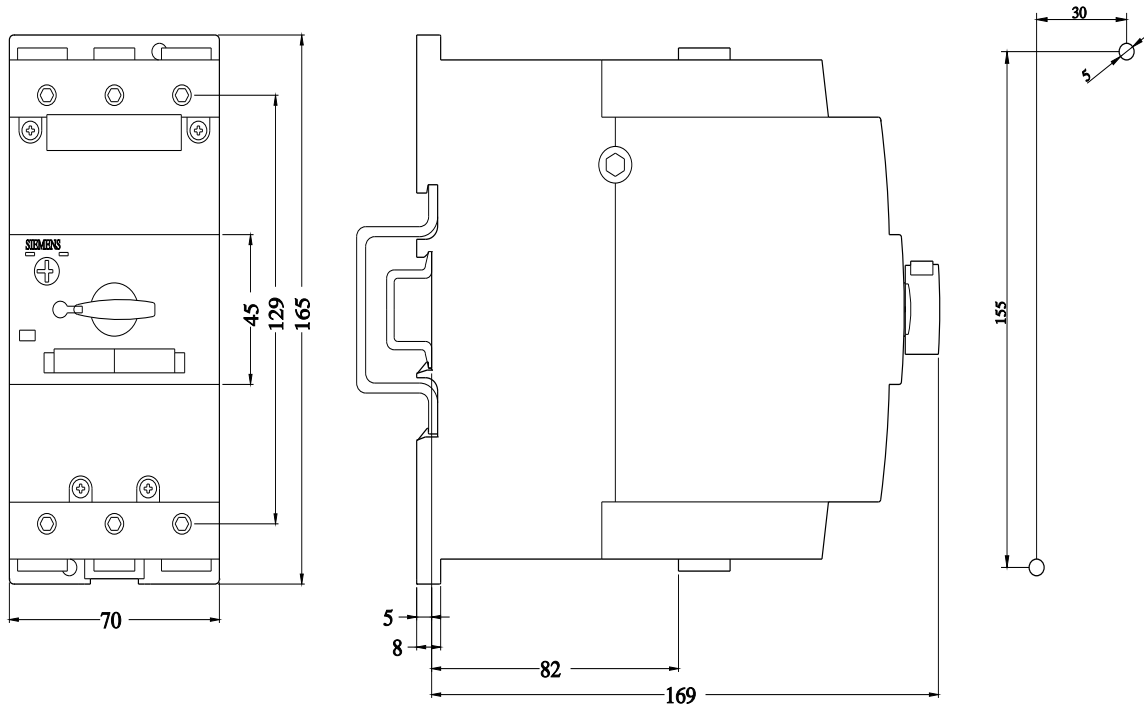
http://www.automation.siemens.com/bilddb/cax_de.aspx?mlfb=3RV1041-4JA10&lang=en

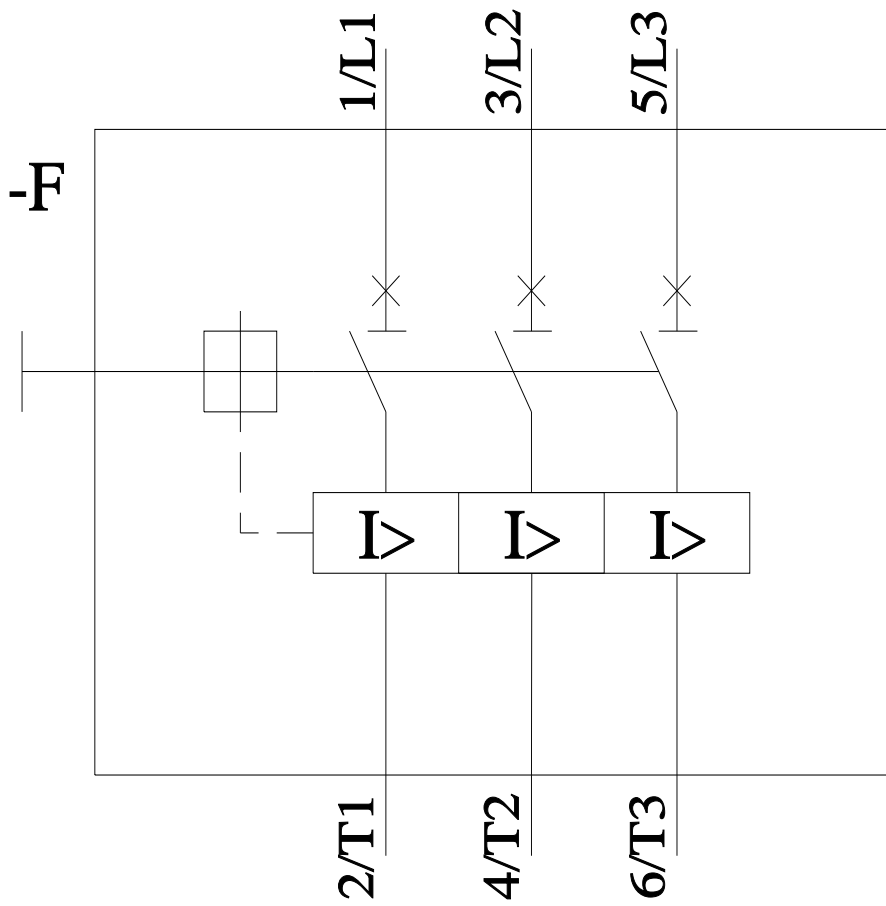
Characteristic: Tripping characteristics, I²t, Let-through current

<https://support.industry.siemens.com/cs/ww/en/ps/3RV1041-4JA10/char>

Further characteristics (e.g. electrical endurance, switching frequency)

<http://www.automation.siemens.com/bilddb/index.aspx?view=Search&mlfb=3RV1041-4JA10&objecttype=14&gridview=view1>





last modified:

11/21/2022 